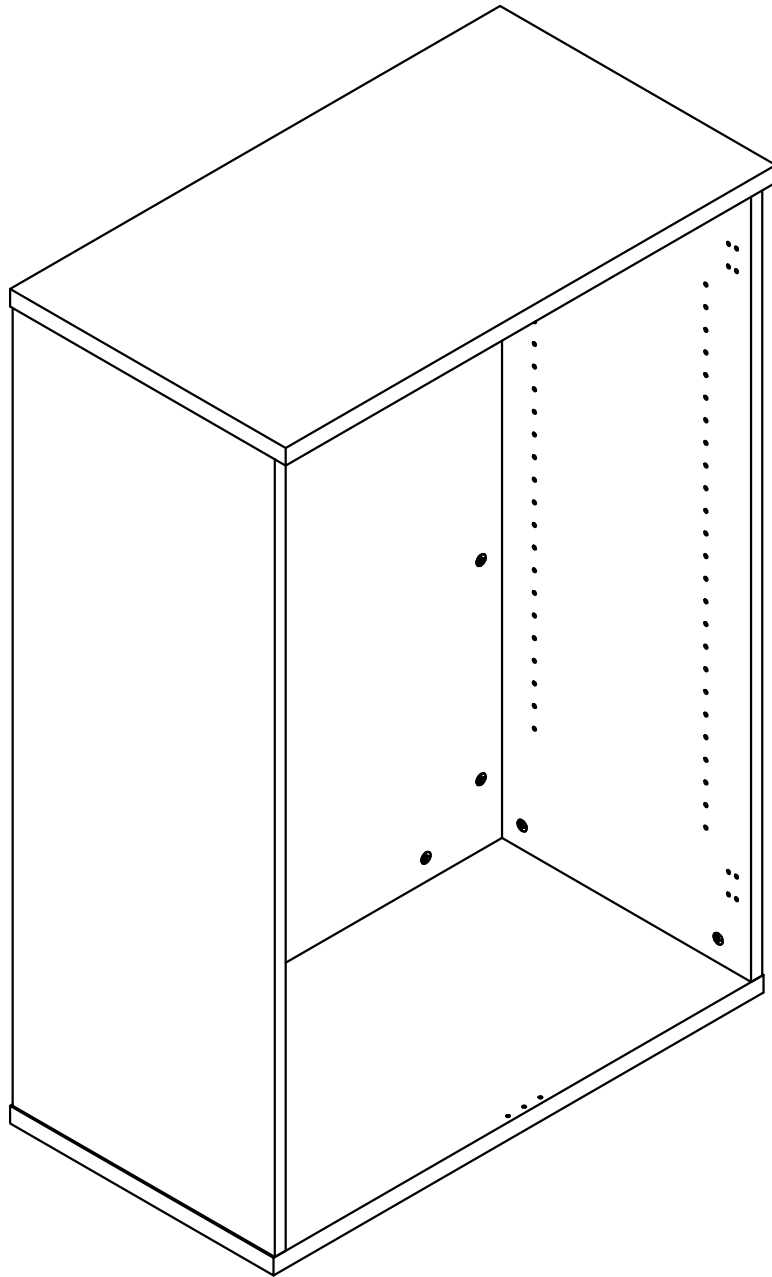


# WDS1245

ASSEMBLY INSTRUCTIONS - PLEASE KEEP FOR FUTURE REFERENCE


800x450x1180



IMPORTANT - PLEASE READ THE INSTRUCTIONS FULLY BEFORE STARTING ASSEMBLY

# SAFETY AND CARE ADVICE

## Important - Please read these instructions fully before starting assembly

- Check you have all the components and tools listed on pages 2 and 3.
  - Remove all fittings from the plastic bags and separate them into their groups.
  - Keep children and animals away from the work area, small parts could choke if swallowed.
  - Make sure you have enough space to layout the parts before starting.
  - Do not stand or put weight on the product during assembly, this could cause damage.
  - Assemble the item as close to its final position (in the same room) as possible.
  - Assemble on a soft level surface to avoid damaging the unit or your floor.
  - Parts of the assembly will be easier with 2 people.
- 
- We do not recommend the use of power drill/drivers for inserting screws, as this could damage the unit. Only use hand screwdrivers.
  - Dispose of all packaging carefully and responsibly.

## Care and maintenance

- Only clean using a damp cloth and mild detergent, do not use bleach or abrasive cleaners.
- From time to time check that there are no loose screws on this unit.
- Do not stand on the unit.
- Do not use this unit as step ladder.
- This product should not be discarded with household waste. Take to your local authority waste disposal centre.

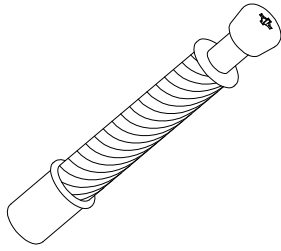
## Handly Hints

- Assemble all parts and bolts loosely during assembly, only once the product is complete should you fully tighten the bolts.
- Regularly check and ensure that all bolts and fittings are tightened properly.

# COMPONENTS - FIXINGS

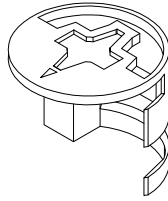
PLEASE CHECK YOU HAVE ALL THE PARTS LISTED BELOW

01



Minifix bolt x 20

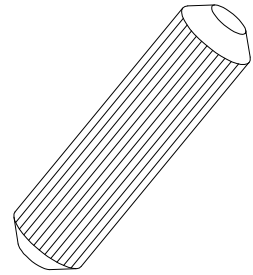
02



The arrow on the cam **must** point towards to nearest edge of the wood panel. Then twist to lock.

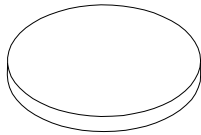
Minifix Cam x 20

03



Dowel x 8 pcs

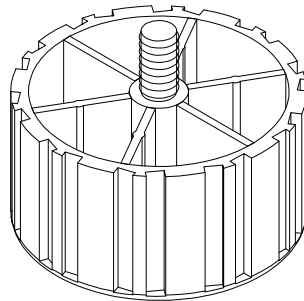
04



To cover the Minifix cam.

Minifix Sticker x 20

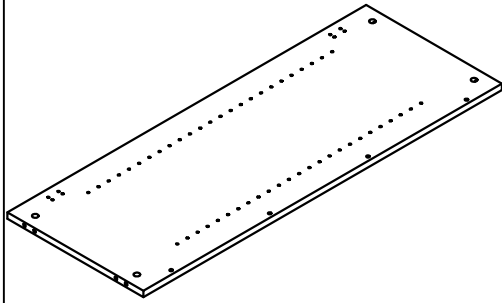
05



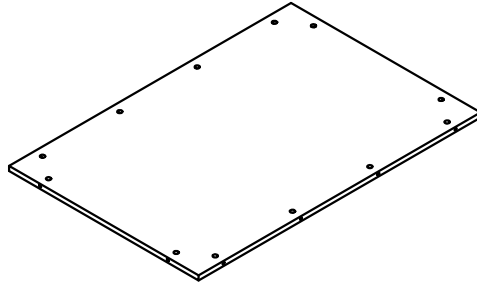
Height Adjustable Foot x 4

# COMPONENTS - PARTS

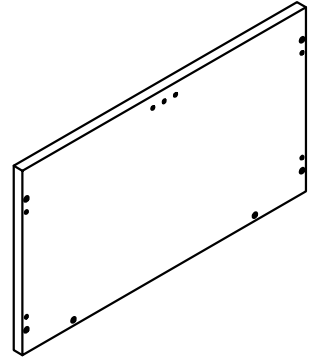
PLEASE CHECK YOU HAVE ALL THE PARTS LISTED BELOW



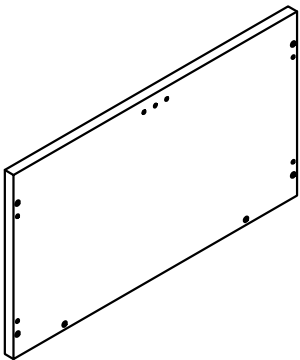
Side x 2 1130x428x18



Back x 1 1130x760x18



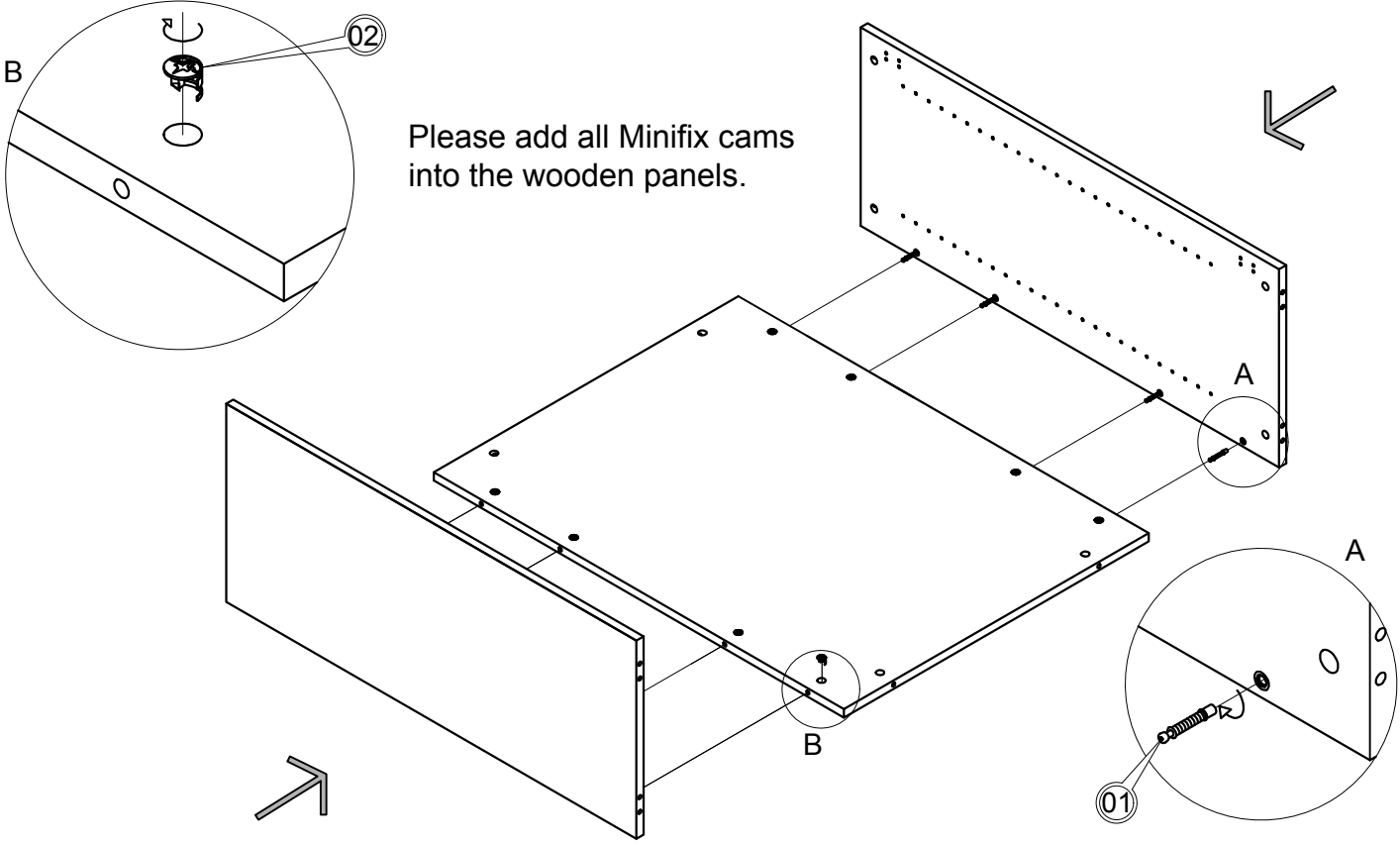
Top x 1 800x450x25



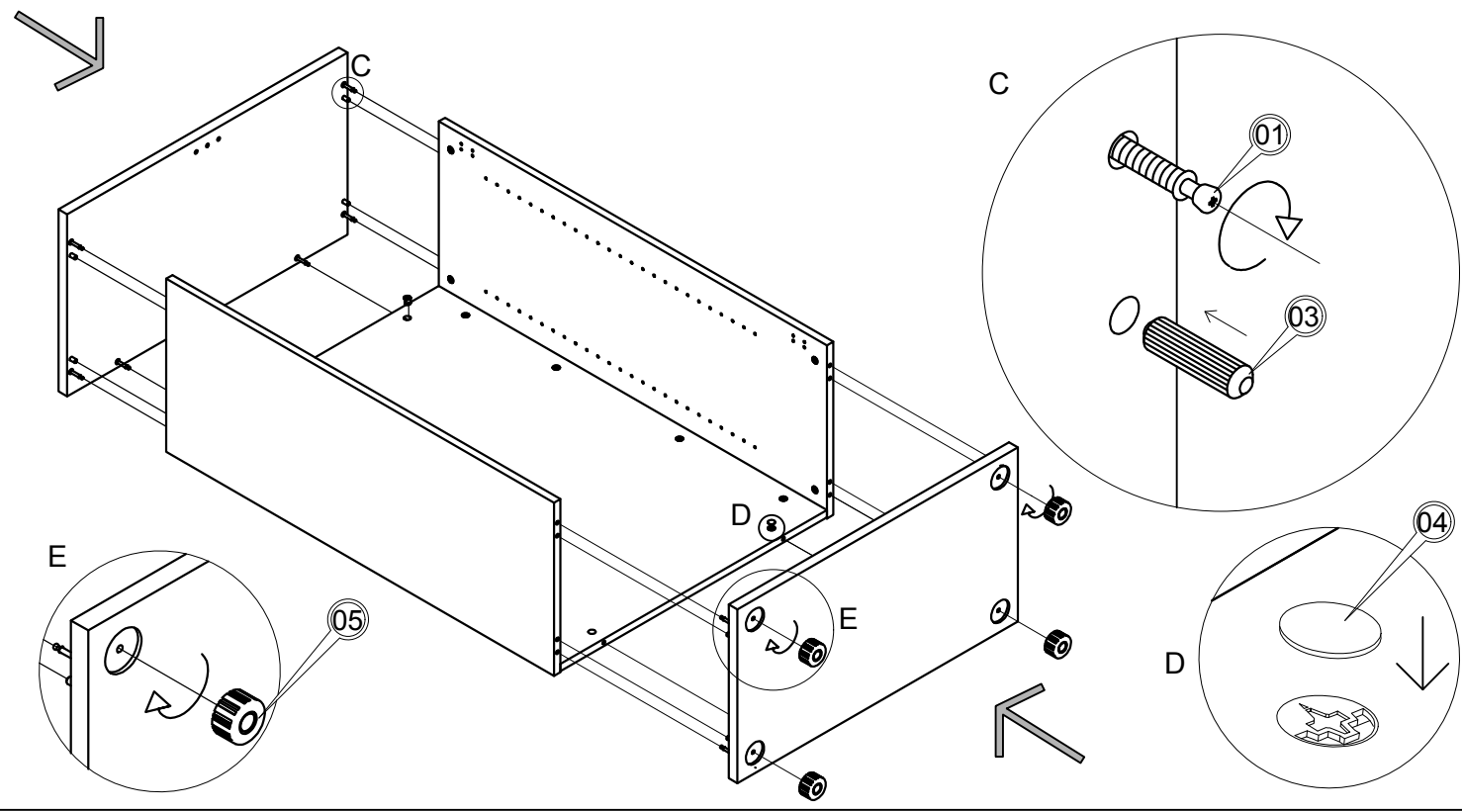
Bottom x 1 800x430x25

# ASSEMBLY INSTRUCTIONS

## STEP 1



## STEP 2



# ASSEMBLY INSTRUCTIONS

## STEP 3

