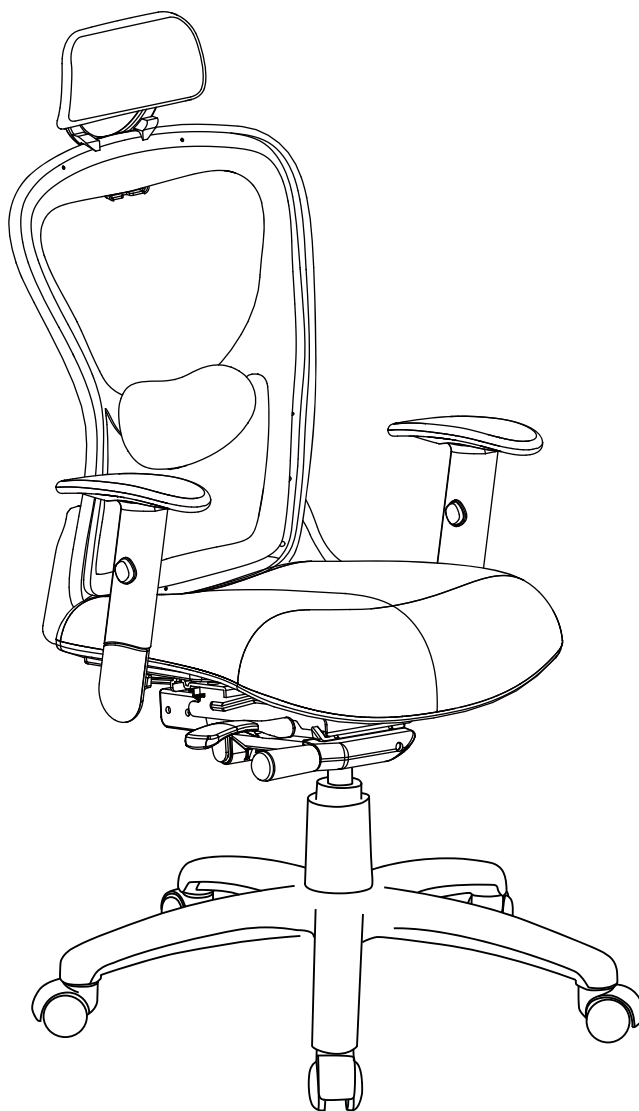


STRATA HB MESH BACK TASK CHAIR

ASSEMBLY INSTRUCTIONS-PLEASE KEEP FOR FUTURE REFERENCE



Important-please read these instructions fully before starting assembly

Safety and Care Advice

Important – Please read these instructions fully before starting assembly

- Check you have all the components and tools listed on pages 2 and 3.
- Remove all fittings from the plastic bags and separate them into their groups.
- Keep children and animals away from the work area, small parts could choke if swallowed.
- Make sure you have enough space to layout the parts before starting.

- Do not stand or put weight on the product during assembly, this could cause damage.
- Assemble the item as close to its final position (in the same room) as possible.
- Assemble on a soft level surface to avoid damaging the unit or your floor.
- Parts of the assembly will be easier with 2 people.



- We do not recommend the use of power drill/drivers **for inserting screws**, as this could damage the unit. Only use hand screwdrivers.
- Dispose of all packaging carefully and responsibly.

Care and maintenance

- Only clean using a damp cloth and mild detergent, do not use bleach or abrasive cleaners.
- From time to time check that there are no loose screws on this unit.

- Do not stand on the chair.
- Do not use this chair as step ladder.
- This product should not be discarded with household

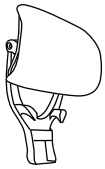
waste. Take to your local authority waste disposal centre.

Handy Hints

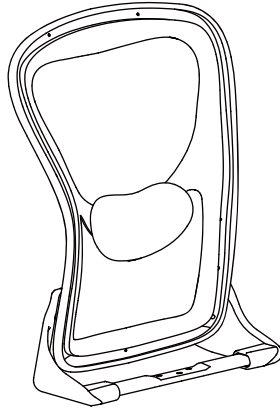
- Assemble all parts and bolts loosely during assembly, only once the product is complete should you fully tighten the bolts.
- Regularly check and ensure that all bolts and fittings are tightened properly.

Components - Parts

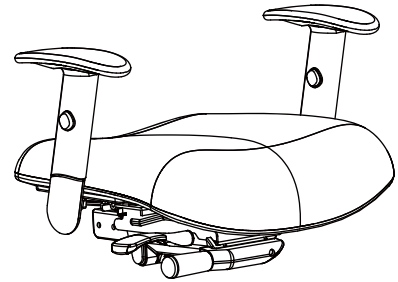
Please check you have all the parts listed below



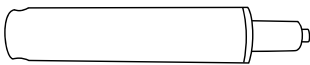
1 Headrest x1



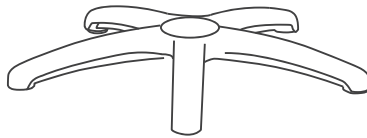
2 Backrest x1



3 Seat x1



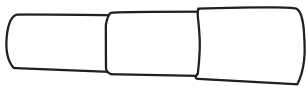
4 Gas lift x1



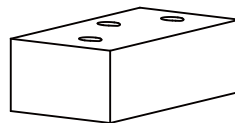
5 Base x1



6 Castors x5



7 Gas lift cover x1



8 Metal spacer x1

Components - Fittings

Please check you have all the fittings listed below.

Note: The quantities below are the correct amount to complete the assembly.
In some cases more fittings may be supplied than are required.



60mm Bolts x 3



M5 Allen Key(supplied)

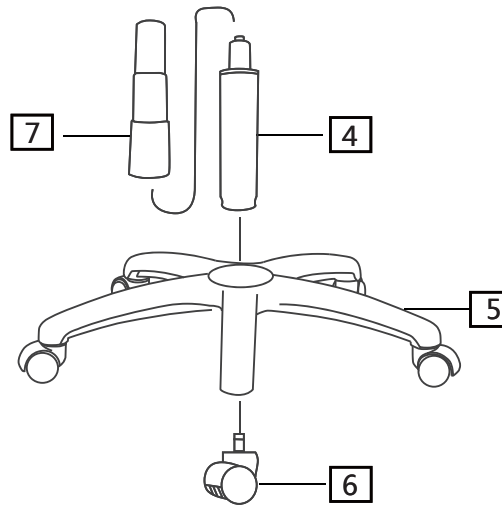
Assembly Instructions

Step 1

Fitting the base

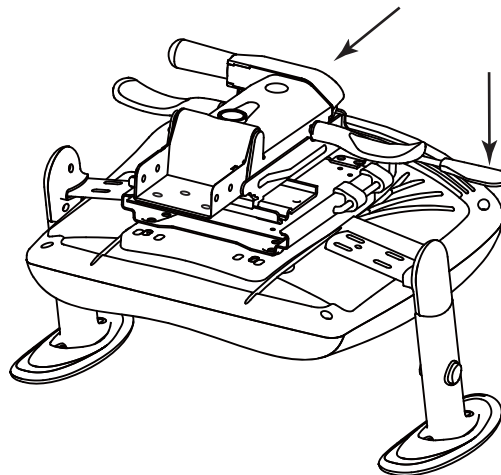
Push all the five castors **6** into the underside of the base **5**.

Insert the gas lift **4** into the base **5**. Put the gaslift cover **7** onto the gaslift **4**.



Step 2

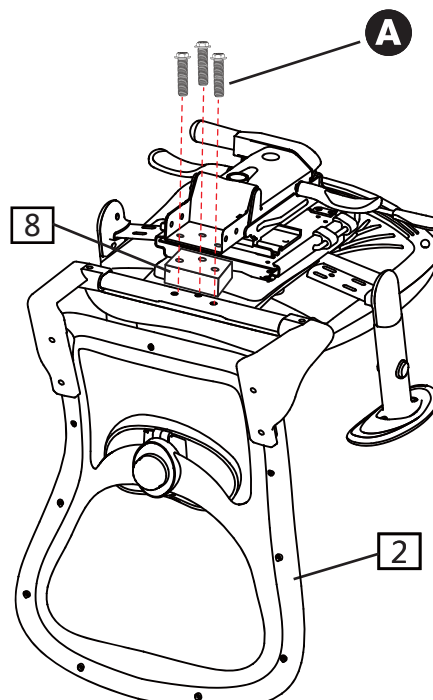
Press the seat slider handle & move the mechanism backward to make sure there is enough room for metal spacer **8** and the metal bar on backrest.



Step 3

Fitting the Backrest

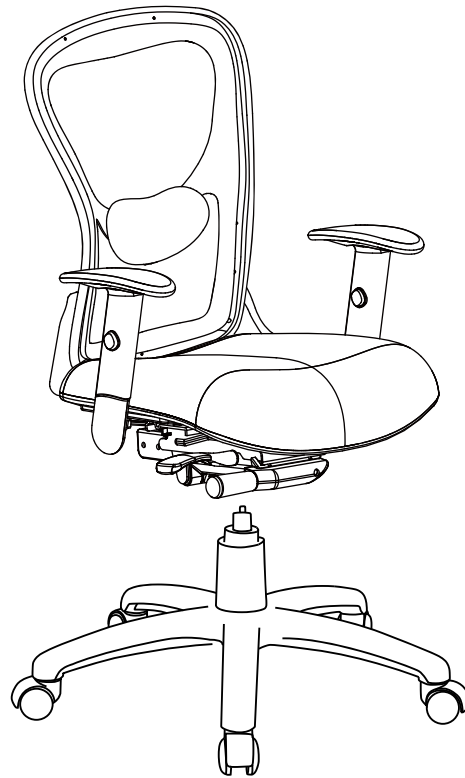
Placed the metal spacer **8** between mechanism & backrest. Use bolts **A** to fix the Backrest **2** onto the unit.



Assembly Instructions

Step 4

Carefully locate the seat **2** onto the base unit.



Step 5

1. Use Allen key **B** to loose screw **A**,make sure the distance **B** is larger than **C**.
2. Place the headrest assembly over the top of the backrest (**C** area).
3. Line-up the center marker of the chair backrest (**C** area) with the headrest(**B** area).
4. Use Bolts **A** to fix the headrest **1** on to the backrest **2**

