

ALTO MESH CHAIR

ASSEMBLY INSTRUCTIONS-PLEASE KEEP FOR FUTURE REFERENCE



Important-please read these instructions fully before starting assembly

Safety and Care Advice

Important – Please read these instructions fully before starting assembly

- Check you have all the components and tools listed on pages 2 and 3.
- Remove all fittings from the plastic bags and separate them into their groups.
- Keep children and animals away from the work area, small parts could choke if swallowed.
- Make sure you have enough space to layout the parts before starting.

- Do not stand or put weight on the product during assembly, this could cause damage.
- Assemble the item as close to its final position (in the same room) as possible.
- Assemble on a soft level surface to avoid damaging the unit or your floor.
- Parts of the assembly will be easier with 2 people.



- We do not recommend the use of power drill/drivers **for inserting screws**, as this could damage the unit. Only use hand screwdrivers.
- Dispose of all packaging carefully and responsibly.

Care and maintenance

- Only clean using a damp cloth and mild detergent, do not use bleach or abrasive cleaners.
- From time to time check that there are no loose screws on this unit.

- Do not stand on the chair.
- Do not use this chair as step ladder.
- This product should not be discarded with household

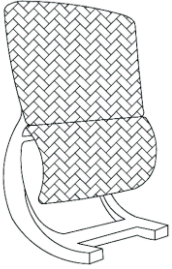
waste. Take to your local authority waste disposal centre.

Handy Hints

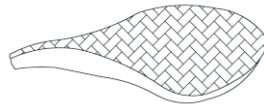
- Assemble all parts and bolts loosely during assembly, only once the product is complete should you fully tighten the bolts.
- Regularly check and ensure that all bolts and fittings are tightened properly.

Components - Parts

Please check you have all the parts listed below



1 Backrest x1



2 Seat x 1



3 Left armrest x1 & Right armrest x 1



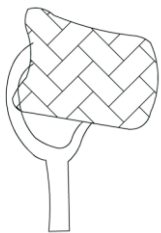
4 Gas lift x 1



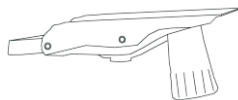
5 Base x 1



6 Castors x 5



7 Headrest x1








8 Mechanismx1

Components - Fittings

Please check you have all the fittings listed below.

Note: The quantities below are the correct amount to complete the assembly.
In some cases more fittings may be supplied than are required.

A  16mm Bolts x 3	B  25mm Bolts x 7	C  20mm Bolts x 5
D  22mm Bolts x 2	E  Allen Key(supplied)	F

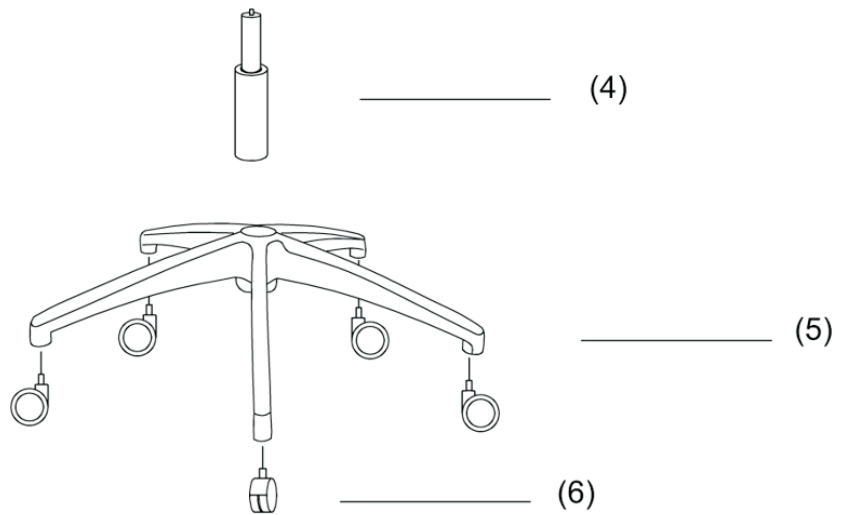
Assembly Instructions

Step 1

Fitting the base

Push all the five castors **6** into the underside of the base **5**.

Insert the gas lift **4** into the base **5**.

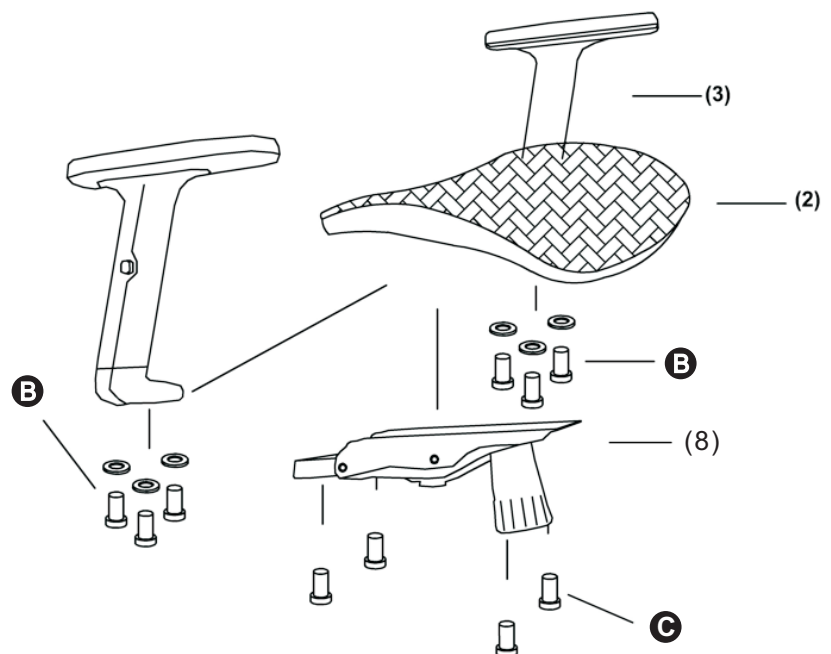


Step 2

Fitting the Armrests and mechanism

Use bolts **B** to fix the armrests **3** onto the seat **2**.

Use bolts **C** to fix the Mechanism **8** onto the seat **2**.



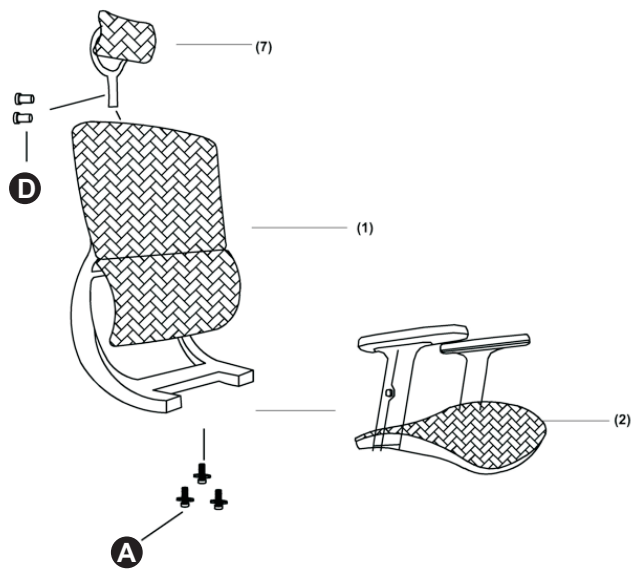
Assembly Instructions

Step 3

Fitting the Backrest and headrest

Use bolts **D** to fix the headrest **7** onto the backrest **1**

Use bolts **A** to fix the backrest **1** onto the seat **2**



Step 4

Carefully locate the seat **2** on the base unit.

